

Made in the  
USA, since  
1972

# ***PRODUCT CATALOG***



***Nichols Manufacturing***

*29250 Meadowview Rd  
Junction City, OR 97448*

*541-485-6050      fax 541-485-3617*

*sales@nicholsmanufacturing.com*

*www.nicholsmanufacturing.com*



*Nichols Manufacturing*

*541-485-6050*

*fax 541-485-3617*

**Table of Contents**

**Page**

*Roof Flashings*

*1*

*Mast Guying Kits*

*2*

*Insulators, Clamp-on*

*3*

*Insulators, Plate or Rack*

*4*

*Insulators, Bolt or Screw-on*

*5*

*U-bolts & Straps*

*6*

*Pole Stand-offs*

*7*

*Safety Plates*

*8*

*Snuggle Bars*

*8*

*Roof Plate Anchor*

*8*

*Heavy Duty Pole Clamps*

*8*



*Nichols Manufacturing*

*541-485-6050  
fax 541-485-3617*

*J-Hooks & Tie Wire 9*

*One Hole Pipe Straps 9*

*Two Hole Pipe Straps 10*

*FHA/Boca Plates & Stud Guards 11*

*Safety Sleeves 11*

*Tub Hanger & Stud Shoes 12*

*Plumbers Tape & Earthquake Strap 12*

*Plate Straps 13*

*Hanger Straps & Hook-On Straps 14*

*Ceiling Cover Plate 14*

*Wire Pipe Hooks 15*



**Nichols Manufacturing**

**541-485-6050**  
**fax 541-485-3617**

## ***Roof Flashings***

*All of our roof flashings*

*feature 26 ga. Galvanized bases which meet or exceed ASTM A653 standards.*

*The molded EPDM neoprene collars are virtually impervious to ozone degradation.*



***F121***

*Fits pipe 1/2" - 1"*

*Case quantity 18*

*Base size 9" x 12"*

*Collar affixed with a metal snap ring*

***F142***

*Fits pipe 1-1/4" - 2"*

*Case quantity 18*

*Base size 9" x 12"*

*Collar affixed with a metal snap ring*

***F34***

***OR New Part #***

***F2124***

*Fits pipe 2-1/2" - 4"*

*Case quantity 8*

*Base size 12" x 16"*

*Collar affixed with automotive glass adhesive*



**Nichols Manufacturing**

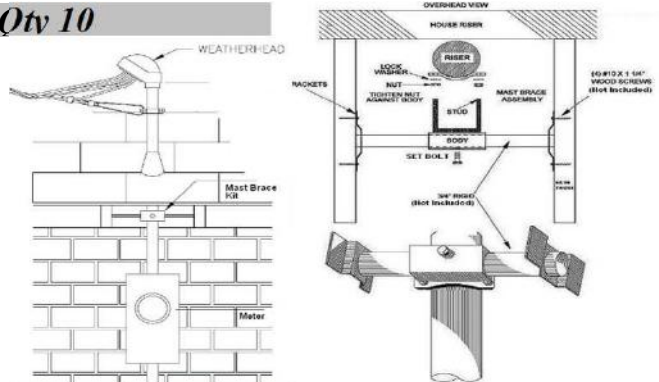
**541-485-6050**  
**fax 541-485-3617**

## Mast Brace Kits

When our Roof Mount Mast Kits might not work as well due to Roofing Material (i.e. Tile). Our Eave truss mounted Mast Brace Kit consist of two galv truss brackets, nuts/washers, lock bolt, Zinc plated pipe sleeve assembly and 12 GA steel galv. pipe strap.

**Part # Description- Case Qty 10**

**MBK2** 1-1/2" - 2" Mast  
**MBK3** 2-1/2" - 3-1/2" Mast



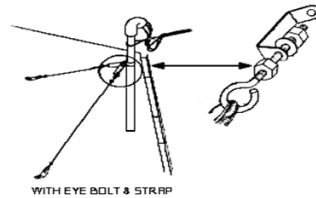
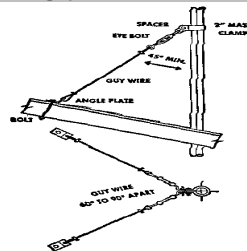
## Mast Guying Kits

Our kits consist of two 6' cables with brackets, mast clamp and two carriage bolts. The cables are 1/8" aircraft quality with 7 x 7 stranding. We construct our clamps from 12GA galv steel which meets or exceeds ASTM A653 specifications.

**Special cable lengths available upon request**

**Part # Description- Case Qty 10**

**MK1** 1" Mast  
**MK114** 1-1/4" Mast  
**MK112** 1-1/2" Mast  
**MK2** 2" Mast  
**MK212** 2-1/2" Mast  
**MK3** 3" Mast  
**MK312** 3-1/2" Mast  
**MK4** 4" Mast

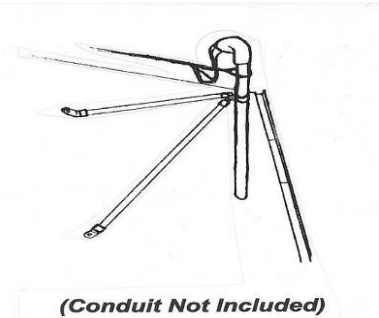


## Rigid Mast Guying Kits

The rigid kits consist of 4 brackets (that attach to your threaded 3/4" conduit), one mast clamp and two 6" Carriage bolts. We construct our brackets from 12GA steel which is welded to the couplers then zinc plated.

**Part # Description- Case Qty 10**

**MKR1** 1" Mast  
**MKR114** 1-1/4" Mast  
**MKR112** 1-1/2" Mast  
**MKR2** 2" Mast  
**MKR212** 2-1/2" Mast  
**MKR3** 3" Mast  
**MKR312** 3-1/2" Mast  
**MKR4** 4" Mast



(Conduit Not Included)



"MKRxxx-SS" For "Set-Screw" Model. This new model allows the installer to cut their Rigid conduit to any desired length, without requiring threaded pipe ends.



**Nichols Manufacturing**

**541-485-6050**  
**fax 541-485-3617**

## **Clamp-on Insulators**

### **Part #**

**200N**

*Case qty. 30*

*14GA galv steel bracket w/ 2-1/4" porcelain insulator. Fits rigid conduit 1-1/4" - 2".*

*Zinc plated u-bolt. 12GA galv strap.*



**2000**

*Case qty. 10*

*14GA galv steel bracket with 2-1/4" porcelain insulator. Fits rigid conduit 2" - 3".*

*Zinc plated u-bolt. 11GA galv heavy strap.*



**300H**

*Case qty. 36*

*12GA galv steel bracket with 2-1/4" porcelain insulator. Fits rigid conduit 1-1/4" - 2".*

*Zinc plated u-bolt. 12GA galv strap.*



**3000**

*Case qty. 10*

*12GA galv steel bracket with 2-1/4" porcelain insulator. Fits rigid conduit 2" - 3".*

*Zinc plated u-bolt. 11GA galv heavy strap.*



**035**

*Sold by piece*

*12GA steel clevis and brackets, welded and zinc plated. 2-1/4" porcelain insulator.*

*Fits rigid conduit 3-1/2".*



**004**

*Sold by piece*

*12GA steel clevis and brackets, welded and zinc plated. 2-1/4" porcelain insulator.*

*Fits rigid conduit 4".*





**Nichols Manufacturing**

**541-485-6050**

**fax 541-485-3617**

## **Plate or Rack Insulators**

### **Part #**

**315**

*Case qty. 18*

*Hot dip galvanized per ASTM A-153 specifications.*

*12GA steel clevis w/ 2-1/4" porcelain insulator.*

*Base plate is 3/16" x 3" x 8" steel.*



**315S**

*Case qty. 18*

*Same item as above except with swiveling insulator.*

**325**

*Case qty. 10*

*Hot dip galvanized per ASTM A-153 specifications.*

*12GA steel clevis w/ 2-1/4" porcelain insulator.*

*Base plate is 3/16" x 3" x 12" steel.*



**325S**

*Case qty. 10*

*Same item as above except with swiveling insulator.*

**95**

*Sold by piece*

*Hot dip galvanized per ASTM A-153 specifications.*

*Removable 2-1/4" porcelain insulator.*

*Triplex anchor. Base plate is 3/16" x 3" x 8" steel.*



**45**

*Sold by piece Two spool rack. 1/2" x 1" channel, galvanized.*

*Spools are 6-1/2" on center. 2-1/4" porcelain insulators.*

**55**

*Sold by piece Three spool rack. 1/2" x 1" channel, galvanized.*

*Spools are 6-1/2" on center. 2-1/4" porcelain insulators.*







**Nichols Manufacturing**

**541-485-6050**  
**fax 541-485-3617**

## ***Bolt or screw-on Insulators***

### **Part #**

**355**

*Sold by piece*  
*12GA x 1" steel clevis, zinc plated with 2-1/4"*  
*porcelain insulator. Bolt hole is 3/8" diameter.*



**365**

*Case qty. 10*  
*4-1/4" clevis, 3/16" x 1-1/2" with 2-1/4"*  
*porcelain insulator. Bolt hole is 5/8" diameter.*  
*Hot dip galvanized.*



**375**

*Case qty. 10*  
*5-1/4" clevis, 3/16" x 1-1/2" with 3"*  
*porcelain insulator. Bolt hole is 5/8" diameter.*  
*Hot dip galvanized.*



**100N2**

*Sold by piece*  
*14GA steel bracket with 2-1/4" screw.*  
*2-1/4" porcelain insulator.*  
*Hot dip galvanized.*



**100N3**

*Sold by piece*  
*14GA steel bracket with 3" screw.*  
*2-1/4" porcelain insulator.*  
*Hot dip galvanized.*



**100N6**

*Sold by piece*  
*14GA steel bracket with 3/8 x 6" bolt*  
*2-1/4" porcelain insulator, nut and washer.*  
*Zinc plated.*







**Nichols Manufacturing**

**541-485-6050**  
**fax 541-485-3617**

## ***U-Bolts, 5/16" diameter***

*Inner leg dimension 2-3/8". Zinc plated. All have 3" rolled thread.*

*Lengths listed below. Assembled with nuts and washers.*

*Case quantity 50*

### **Part #**

<b>5U</b>	<i>5" U-bolt</i>
<b>7U</b>	<i>7" U-bolt</i>
<b>9U</b>	<i>9" U-bolt</i>
<b>11U</b>	<i>11" U-bolt</i>
<b>13U</b>	<i>13" U-bolt</i>



## ***U-Bolts, 3/8" diameter***

*Inner leg dimension 3-1/2". Zinc plated. All have 3" rolled thread.*

*Lengths listed below. Assembled with nuts and washers.*

*Case quantity 10*

### **Part #**

<b>5U3</b>	<i>5" U-bolt</i>
<b>8U3</b>	<i>8" U-bolt</i>

## ***U-Bolt Straps***

### **Part #**

**UB2** *Fits our 2-3/8" inner leg dimension u-bolts.*  
*Made of 12GA galvanized steel.*

*Sold by piece*



**UB3** *Fits our 3-1/2" inner leg dimension u-bolts.*  
*Made of 11GA steel, zinc plated.*

*Sold by piece*





**Nichols Manufacturing**

**541-485-6050**  
**fax 541-485-3617**

## ***Pole Stand-offs***

*All of our stand-offs are hot dip galvanized per ASTM A-153 specifications.*

*All steel is per ASTM A-36 specifications. Welded construction.*

*Strut is 13/16-14GA steel. Sold by piece*

### **Part #**

**MB3**

**5" stand-off.**

**Base is 1/4" x 1-1/2" x 8"**

**MB4**

**5" stand-off w/brace**

**Base is 1/4" x 1-1/2" x 8"**

**PSB12**

**12" stand-off w/brace**

**PSB15**

**15" stand-off w/brace**

**PSB18**

**18" stand-off w/brace**

**SOS8**

**8" stand-off, crescent**

**SOS12**

**12" stand-off, crescent**

**SOS15**

**15" stand-off, crescent**

**SOS18**

**18" stand-off, crescent**

**SOS24**

**24" stand-off, crescent**

**SOD8**

**8" stand-off, diamond**

**SOD12**

**12" stand-off, diamond**

**SOD15**

**15" stand-off, diamond**

**SOD18**

**18" stand-off, diamond**

**SOD24**

**24" stand-off, diamond**



**SDT's come with 8" T at end of strut, 12" and 16" T's are also available**

**SDT0**

**0" stand-off w/T, diamond**

**SDT4**

**4" stand-off w/T, diamond**

**SDT6**

**6" stand-off w/T, diamond**

**SDT8**

**8" stand-off w/T, diamond**

**SDT12**

**12" stand-off w/T, diamond**

**SDT15**

**15" stand-off w/T, diamond**

**SDT18**

**18" stand-off w/T, diamond**





**Nichols Manufacturing**

**541-485-6050**  
**fax 541-485-3617**

### **Safety Plates**

*Constructed from 16GA steel. Sold in case quantity only.*

<u>Part #</u>	<u>Description</u>	<u>Case qty.</u>
SP316100	1-1/2" x 3"	100
SP316500	1-1/2" x 3"	500
SP416100	1-1/2" x 4"	100
SP516100	1-1/2" x 5"	100
SP516250	1-1/2" x 5"	250
SP616100	1-1/2" x 6"	100
SP516100-3	3" x 5"	100
SP616100-3	3" x 6"	100



*Constructed from 18GA steel. Sold in case quantity only.*

SP318100	1-1/2" x 3"	100
SP518100	1-1/2" x 5"	100
SP618100	1-1/2" x 6"	100
SP518100-3	3" x 5"	100

### **Snuggle Bar Kits**

*One piece construction of 12GA galvanized steel. Includes square u-bolt with strap. Holes in each end for 16d nails*

<u>Part #</u>	
SB2	<i>Sold by piece</i>



### **Roof Plate Anchor**

*One piece construction of 10GA galv steel.*

<u>Part #</u>	
99	<i>Sold by piece</i>



### **Heavy Duty Pole Clamps**

*Constructed from 12GA galv steel. Meets or exceeds ASTM A653 specifications. Incl. 3/8" Bolt and Nut. Sold by piece*

<u>Part #</u>	<u>Description</u>
15-1	1" Clamp
15-114	1-1/4" Clamp
15-112	1-1/2" Clamp
15-2	2" Clamp
15-212	2-1/2" Clamp
15-3	3" Clamp
15-312	3-1/2" Clamp
15-4	4" Clamp





**Nichols Manufacturing**

**541-485-6050**  
**fax 541-485-3617**

## J-Hooks

Drive Straps, Nail Straps, 12 gauge, available in copper, copper with plastic coating or galvanized. Sold in case quantity only

<u>Part #</u>	<u>Description</u>	<u>Case qty</u>
12CCJN	1/2" copper	1000
34CCJN	3/4" copper	1000
1CCJN	1" copper	1000
12CCJN-PL	1/2" copper w/ plastic	1000
34CCJN-PL	3/4" copper w/ plastic	1000
1CCJN-PL	1" copper w/ plastic	500
114CCJN-PL	1-1/4" copper w/plastic	500
12GAJN	1/2" galvanized	1000
34GAJN	3/4" galvanized	1000
1GAJN	1" galvanized	1000



## Tie Wire

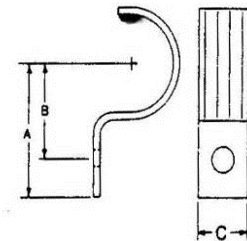
Steel, 16 Gauge, 400 ft

<u>Part #</u>	<u>Description</u>	<u>Case qty</u>
TW16400	Annealed and Rolled	Sold by piece



## One Hole Pipe Straps

Galvanized. Sold in case quantity only



For E.M.T. Thin Wall

<u>Part #</u>	<u>Description</u>
EOH038	3/8" BX Cable
EOH050	1/2" EMT
EOH075	3/4" EMT
EOH100	1" EMT
EOH125	1-1/4" EMT
EOH150	1-1/2" EMT
EOH200	2" EMT

<u>Dimension</u>				
<u>A</u>	<u>B</u>	<u>C</u>	<u>Gauge</u>	<u>Case Qty</u>
1.165	0.88	0.625	18	100
1.360	0.985	0.625	16	100
1.425	1.010	0.625	16	100
1.545	1.290	0.750	14	50
1.805	1.355	0.875	14	25
2.440	1.814	0.875	13	25
2.859	2.109	0.875	12	25

RIGID Conduit and Plastic Pipe

<u>Part #</u>	<u>Description</u>
ROH050	1/2" RIGID
ROH075	3/4" RIGID
ROH100	1" RIGID

1.281	0.890	0.570	14	100
1.406	1.015	0.570	14	100
1.562	1.156	0.570	14	50



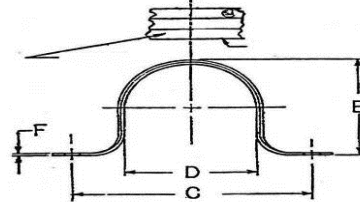
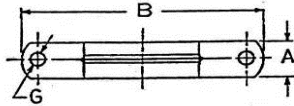
**Nichols Manufacturing**

**541-485-6050**

**fax 541-485-3617**

## Two Hole Pipe Straps

*Sold in case quantity only*



Part #	Description	A	B	C	D	E	F	G	Case Qty
<i>Galvanized</i>									
<i>For E.M.T. Thin Wall (Conduit)</i>									
EMT050	1/2" EMT	0.625	2.140	1.600	0.706	0.750	22 GA	0.187	250
EMT075	3/4" EMT	0.625	2.288	1.715	0.922	1.015	22 GA	0.187	200
EMT100	1" EMT	0.750	2.750	2.140	1.163	1.235	20 GA	0.250	100
EMT125	1 1/4" EMT	0.750	3.520	2.750	1.510	1.540	20 GA	0.250	50
EMT150	1 1/2" EMT	0.750	3.770	3.141	1.740	1.785	20 GA	0.250	50
EMT200	2" EMT	0.750	4.453	3.812	2.147	2.270	20 GA	0.250	25
<i>For RIGID Conduit and Plastic Pipe</i>									
RPS025	1/4" RIGID	0.625	1.875	1.385	0.480	0.540	22 GA	0.187	250
RPS038	3/8" RIGID	0.625	2.270	1.660	0.630	0.700	22 GA	0.187	250
RPS050	1/2" RIGID	0.625	2.270	1.765	0.840	0.870	22 GA	0.187	250
RPS075	3/4" RIGID	0.625	2.355	1.850	1.050	1.130	22 GA	0.187	150
RPS100	1" RIGID	0.750	2.940	2.315	1.315	1.370	20 GA	0.250	100
RPS125	1 1/4" RIGID	0.750	3.672	2.925	1.660	1.725	20 GA	0.250	50
RPS150	1 1/2" RIGID	0.750	3.922	3.165	1.890	1.940	20 GA	0.250	50
RPS200	2" RIGID	0.750	5.015	4.188	2.375	2.410	18 GA	0.270	25
<i>Not Snap On</i>									
RPS250	2 1/2" RIGID	1.000	5.720	4.688	2.875	3.050	16 GA	0.312	25
RPS300	3" RIGID	1.000	6.578	5.515	3.500	3.670	16 GA	0.312	20
RPS350	3 1/2" RIGID	1.000	7.156	6.125	4.000	3.975	16 GA	0.312	15
RPS400	4" RIGID	1.000	7.718	6.718	4.500	4.700	16 GA	0.312	10
RPS600	6" RIGID	1.000	10.250	9.250	6.715	6.775	16 GA	0.312	20
<i>Copper Clad For RIGID Copper Pipe</i>									
CCPS025	1/4" RIGID	0.500	1.635	1.100	0.380	0.410	24 GA	0.187	500
CCPS038	3/8" RIGID	0.500	1.835	1.315	0.500	0.520	24 GA	0.187	500
CCPS050	1/2" RIGID	0.500	1.775	1.270	0.645	0.630	24 GA	0.187	250
CCPS075	3/4" RIGID	0.500	2.125	1.600	0.920	0.905	24 GA	0.187	150
CCPS100	1" RIGID	0.750	2.895	2.185	1.140	1.145	22 GA	0.187	100
CCPS125	1 1/4" RIGID	0.750	3.400	2.635	1.400	1.385	22 GA	0.285	50
CCPS150	1 1/2" RIGID	0.750	4.160	3.105	1.675	1.640	22 GA	0.285	50
CCPS200	2" RIGID	0.750	4.580	3.590	2.155	2.155	22 GA	0.285	25





**Nichols Manufacturing**

**541-485-6050**  
**fax 541-485-3617**

## ***Self-Nailing FHA Plates/Stud Guards***

*No nails required for faster, easier installation. 16 Gauge*  
*Sold in case quantity only*

<u>Part #</u>	<u>Description</u>	<u>Case qty</u>
SP0916	1-1/2" x 9"	100
SP1216	1-1/2" x 12"	100
SP1816	1-1/2" x 18"	100
SP2416	1-1/2" x 24"	100



## ***Safety Sleeves***

*16 Gauge. Sold in case quantity only*

<u>Part #</u>	<u>Description</u>	<u>Case qty</u>
SS-15	1-1/2"	1000
SS-30	3"	500
SS-35	3-1/2"	500
SST-15	1-1/2" Tapered	1000
SST-35	3-1/2" Tapered	500



## ***Boca Plates***

*16 Gauge. Sold in case quantity only*

<u>Part #</u>	<u>Description</u>	<u>Case qty</u>
PS0616-3.5-1 Hole	3-1/2" x 6" 1 Hole	50
PS0616-3.5-SN	3-1/2" x 6" Self Nailer	50
PS816-3.5-SN	3-1/2" x 8" Self Nailer	50
PS5416	5" x 4"	50
PS5416-SN	5" x 4" Self Nailer	50
PS5516-SN	5" x 5" Self Nailer	50
PS5816	5" x 8"	50
PS5816-SN	5" x 8" Self Nailer	50
PS6816	6" x 8"	50
PS1216-6	6" x 12" (6 or 8 Hole)	25
PS1816-3.5-2 Hole	3-1/2" x 18" 2 Hole	25
PS1816-5	5" x 18" (6 or 8 Hole)	25
PS1816-6	6" x 18" (6 or 8 Hole)	25
PS2416-6	6" x 24" (6 or 8 Hole)	25







**Nichols Manufacturing**

**541-485-6050**  
**fax 541-485-3617**

## Tub Hanger

*12 Gauge. Sold in case quantity only*

<u>Part #</u>	<u>Description</u>	<u>Case qty</u>
TH12	1-1/2" x 6"	100



## Stud Shoes

*18 Gauge. Sold in case quantity only*

<u>Part #</u>	<u>Description</u>	<u>Case qty</u>
SS2X6	2" x 6"	50
SS4X6	4" x 6"	25
SS6X6	6" x 6"	25



## Plumbers Tape



??? = length in feet of rolls. Sold in case quantity only

Galvanized with alternating nail and bolt holes. All bolt holes available

<u>Part #</u>	<u>Description</u>	<u>GA</u>	<u>Case qty</u> <u>Per Foot</u>
PT28???	3/4"--Available in 10', 50', & 100' rolls	28	1000'
PT26???	3/4"--Available in 10', 50', & 100' rolls	26	1000'
PT24???	3/4"--Available in 10', 50', & 100' rolls	24	1000'
PT22???	3/4"--Available in 10', 50', & 100' rolls	22	1000'
PT20???	3/4"--Available in 10', 50', & 100' rolls	20	1000'
Copper Clad with alternating nail and bolt holes.			
PT24???-CC	3/4"--Available in 10', 50', & 100' rolls	24	1000'
PT20???-CC	3/4"--Available in 10', 50', & 100' rolls	20	1000'
Earthquake Strap			
PT16010	7/8"--Available in 10' strips only	16	250'



**Nichols Manufacturing**

**541-485-6050**  
**fax 541-485-3617**

## **Plate Straps**

*Tie-Plates/FHA Plates*

*Available with 4, 6 or 8 holes on each end. Sold in case quantity only*

<b>Part #</b>	<b><u>Description</u></b>	<b><u>Case qty</u></b>
<b>12 Gauge</b>		
PS0612	1-1/2" x 6"	100
PS0912	1-1/2" x 9"	50
PS1212	1-1/2" x 12"	50
PS1812	1-1/2" x 18"	50
PS2412	1-1/2" x 24"	50
PS0612-3	3" x 6"	100
PS0912-3	3" x 9"	25
PS1212-3	3" x 12"	25
PS1812-3	3" x 18"	25
PS2412-3	3" x 24"	25
<b>16 Gauge</b>		
PS0616	1-1/2" x 6" (1 or 2 Hole)	100
PS0916	1-1/2" x 9"	100
PS1216	1-1/2" x 12"	100
PS1816	1-1/2" x 18"	100
PS2416	1-1/2" x 24"	100
PS3616	1-1/2" x 36"	25
PS0616-3	3" x 6"	50
PS0916-3	3" x 9"	50
PS1216-3	3" x 12"	50
PS1816-3	3" x 18"	50
PS2416-3	3" x 24"	50
PS3616-3	3" x 36"	25
<b>18 Gauge</b>		
PS0318	1-1/2" x 3"	100
PS0618	1-1/2" x 6"	100
PS0918	1-1/2" x 9"	100
PS1218	1-1/2" x 12"	100
PS1818	1-1/2" x 18"	100
PS2418	1-1/2" x 24"	100
PS0618-3	3" x 6"	100
PS0918-3	3" x 9"	50
PS1218-3	3" x 12"	50
PS1818-3	3" x 18"	50
PS2418-3	3" x 24"	50





**Nichols Manufacturing**

**541-485-6050**  
**fax 541-485-3617**

## Hanger Straps

Available with or without bolt holes. Sold by the box

<u>Part #</u>	<u>Description</u>	<u>GA</u>
HS80	1-1/2" x 80'	28
HS100	1-1/2" x 100'	28
HS80-26	1-1/2" x 80'	26
HS100-26	1-1/2" x 100'	26
1HS100-26	1" x 100'	26
1HS100-24	1" x 100'	24

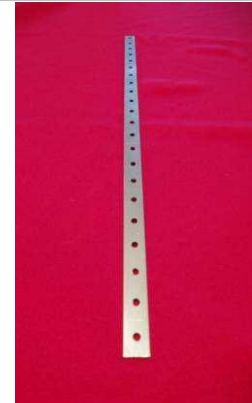
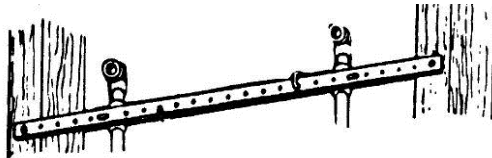
Used for hanging duct work



## Hook-On Straps

14 Gauge. Sold by case quantity only

<u>Part #</u>	<u>Description</u>	<u>Case qty</u>
HOS18	18"	100
HOS26	26"	100



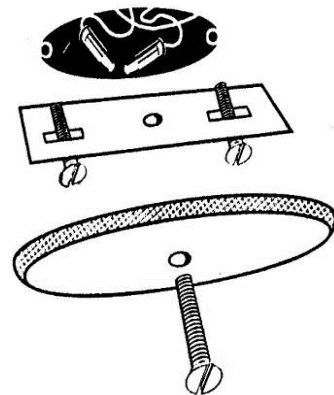
## Ceiling Cover Plates - Adjustable

Features:

- ❖ Includes canopy, adjustable strap, and flat head slotted machine screw.
- ❖ White color blends with most installations.
- ❖ Adjusts to fit 3" & 4" outlet boxes.
- ❖ Can be used for temporary or permanent applications.

Sold by case quantity only

<u>Part #</u>	<u>Description</u>	<u>Case qty</u>
CCP-12	5 1/4" White Canopy	12
CCP-50	5 1/4" White Canopy	50
CCP-100	5 1/4" White Canopy	100





**Nichols Manufacturing**

**541-485-6050**  
**fax 541-485-3617**

## **Wire Pipe Hooks**

*Case quantity 1000. Sold by the case quantity only*

<u>Part #</u>	<u>Description</u>	<u>GA</u>
<b>Plain</b>		
WPH1/2X4	1/2" x 4"	12
WPH1/2X6	1/2" x 6"	12
WPH3/4X4	3/4" x 4"	12
WPH3/4X6	3/4" x 6"	12
WPH1X6	1" x 6"	12
WPH1/2X4-10	1/2" x 4"	10
WPH1/2X6-10	1/2" x 6"	10
WPH3/4X4-10	3/4" x 4"	10
WPH3/4X6-10	3/4" x 6"	10
WPH1X6-10	1" x 6"	10
<b>Copper Coated</b>		
WPH1/2X4--CC	1/2" x 4"	12
WPH1/2X6-CC	1/2" x 6"	12
WPH3/4X4-CC	3/4" x 4"	12
WPH3/4X6-CC	3/4" x 6"	12
WPH1X6-CC	1" x 6"	12
WPH1/2X4-CC-10	1/2" x 4"	10
WPH1/2X6-CC-10	1/2" x 6"	10
WPH3/4X4-CC-10	3/4" x 4"	10
WPH3/4X6-CC-10	3/4" x 6"	10
WPH1X6-CC-10	1" x 6"	10
<b>Plastic Coated</b>		
WPH1/2X4-PL	1/2" x 4"	12
WPH1/2X6-PL	1/2" x 6"	12
WPH3/4X4-PL	3/4" x 4"	12
WPH3/4X6-PL	3/4" x 6"	12
WPH1X6-PL	1" x 6"	12
WPH1/2X4-PL-10	1/2" x 4"	10
WPH1/2X6-PL-10	1/2" x 6"	10
WPH3/4X4-PL-10	3/4" x 4"	10
WPH3/4X6-PL-10	3/4" x 6"	10
WPH1X6-PL-10	1" x 6"	10

